

# GILDA

GILDA stackable armchairs collection great for outdoor and indoor spaces

1



2



- 1 . Armchair with 4 legs frame without armrests
- 2 . Armchair with 4 legs frame with armrests

## **STRUCTURE**

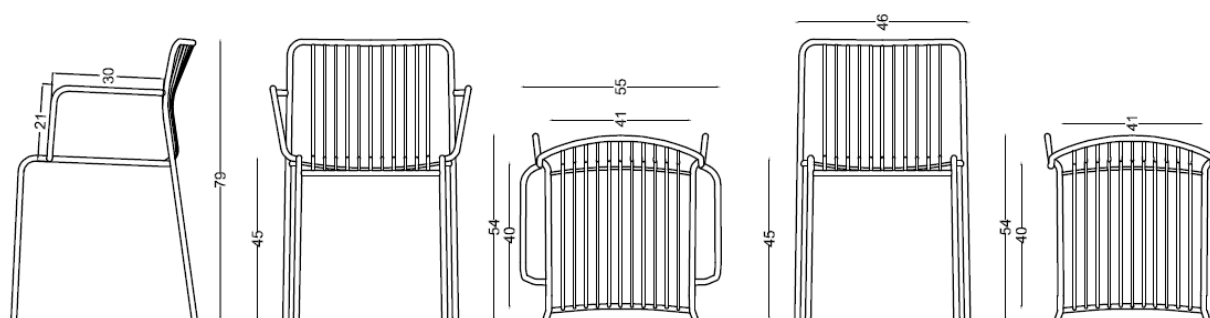
---

4 legs frame with or without integrated armrests made of metal mpainted tube diam 16 mm.

Seat and backrest are made with curved rod diam 6 mm and 30 mm separated from each other.

## **DIMENSIONS**

---



## **ACCESSORIES**

---

To enhance the comfort of the seat a padded and upholstered cushion can be applied and in all colors from the Quinti Colors Swatch Card.

## UPHOLSTERIES

---

### BIKOS

#### CATEGORY 2

480 gr/mtl  
100% Trevira CS  
Classe 1 ,EN1021/1-2  
100.000 +/- 10% cicli Maltindale

### BIO-EXPO

#### CATEGORY 2

300 gr/mt2  
100% Propitex FR batteriosattico  
Classe 1UNI EN ISO 354:2003  
100.000 +/- 10% cicli Maltindale

### EXTREME

#### CATEGORY 2

350 gr/mtl  
100% Xtreme FR  
Classe , EN 1021-1/2  
100.000 +/- 10% cicli Maltindale

### LASER

#### CATEGORY 2

560 gr/mtl  
100% Poliestere FR  
Classe 1  
80.000+/- 10% cicli Maltindale

### ECOPELLE

#### CATEGORY 2

630 gr/mt2  
83% PVC, 17% Syntetic  
ISO 379-DIN75200-CSERF4/83 10%  
cicli Maltindale

### ERA

#### CATEGORY 3

448 gr/mtl  
100% Trevira CS  
Classe 1UNI EN ISO 354:2003  
100.000 +/- 10% cicli Maltindale

### TRAMA

#### CATEGORY 3

735 gr/mtl  
100% Trevira CS  
Classe1 , EN 1021-1/2  
100.000 +/- 10% cicli Maltindale

### JET

#### CATEGORY 3

365+/- 5% g/lin.m  
100% Poliestere FR  
Classe 1  
80.000+/- 10% cicli Maltindale

### MELANGE

#### CATEGORY 3

390 g/lin.m  
100% Trevira CS  
Classe 1  
80.000 +/- 10% cicli Maltindale

### LANA

#### CATEGORY 5

500 gr/mt2  
75% Lana, 25% poliammide  
Classe 1  
100.000 cicli Maltindale

### PELLE

#### CATEGORY 5/6

620 g/lin.m  
100% Pelle bovina  
Classe 1, EN 1021-1/2

### EUROPOST 2

#### CATEGORY 6

710 g/lin.m  
63% PU, 16% CO, 21% PL  
Ini1975 CLASSE1emme,UNI9175/FA  
50.000% cicli Maltindale

### PREMIUM ELEGANCE

#### CATEGORY 7

100% Pelle bovina Primo fiore  
Spessore 1,2/1,4 mm  
EN1021-1/2

### SOFT

#### CATEGORY 8

100% Pelle bovina  
Primo fiore CONCIA ALL'ANILINA  
EN1021-1/2

### REMIX

#### CATEGORY 7

415 g/lin.m  
90% New wool worsted, 10% Nylon  
Classe 1, EN 1021-1/2  
100.000 % cicli Maltindale

### UMAMI

#### CATEGORY 7

470 g/lin.m  
90% New wool worsted, 10% Nylon  
Classe 1, EN 1021-1/2  
60.000 % cicli Maltindale

### STEELCUT TRIO

#### CATEGORY 7

770 g/lin.m  
90% New wool worsted, 10% Nylon  
Classe 1, EN 1021-1/2  
100.000 % cicli Maltindale

### TEMPO

#### CATEGORY 6

470 g/lin.m  
100% Trevira CS  
Classe 1, EN 1021-1/2  
70.000 % cicli Maltindale

### PIED POULE

#### CATEGORY 6

550 g/lin.m  
66% cotone, 34% Poliestere  
35.000 % cicli Maltindale

### VELLUTO

#### CATEGORY 8

600 g/lin.m  
100.000 % PL Flame retardant

### VELLUTO DECONTRACTE'

#### CATEGORY 7

590 g/lin.m  
19% CO, 61% PC, 10% PL, 10%VI  
40.000 % cicli Maltindale

# GILDA

## USAGE AND CARE

---

In order to maintain Quinti products in perfect conditions through time and obtain a long lasting quality of the raw materials we hereby recommend to follow some very basic care instructions.

### FABRICS

- Cleaning: see the dedicated selection written on the color Swatch card.
- Usage: we recommend a particular care as fabrics can be easily cut or ripped.

### LEATHER

- Cleaning: Clean with a soft cloth with water. We remind that leather is extremely delicate. We recommend to use high quality products and to follow the instructions of the manufacturer. In case of doubts, we recommend to test the product on a hidden part and to wait at least 24 hours should any problem arise.
- Usage: It is very important to look carefully at the wash suggested and to pay particular attention while using.

### PLASTIC MATERIALS

- Cleaning: plastic surfaces usually need to be cleaned with a cloth and water. We recommend not to use dry cloths that might generate an electrostatic charge that will capture dust. For the most persistent stains a small amount of liquid soap diluted in water may be used.

### WOOD

- Cleaning: plywood surfaces need to be cleaned with a cloth and water. We recommend to dry immediately after the cleaning process. All liquids or other residue must be removed in order to avoid the absorption of the same.
- Usage: being plywood a natural material you might notice an alteration of the color shade during time and use. We also remind that plywood cannot bear with warm surfaces or high temperatures if placed directly on the wooden top.

### METALS

- Cleaning: plastic surfaces usually need to be cleaned with a cloth and water. For the most persistent stains a small amount of liquid soap diluted in water may be used. We always recommend to try immediately after the cleaning process by using a soft cloth or a leather one. Never use cleaning products for steel, chlorine, bleach or other strong detergents. Avoid abrasive creams, score pads and abrasive sponges that can scratch the metal surfaces.
- Usage: mind the stains of food such as coffee, juices, coke, if not removed immediately they might leave indelible marks on the surface.

## WARRANTY

---

QUINTI products are covered by a 5 years warranty, unless normal use and provided that they are used following the instructions. Quinti will substitute without any cost each product not corresponding to the warranty, without any other responsibility. The warranty does not include components, external accessories or materials provided by the purchaser and applied to the products in order to personalize them.