

## DEEP EXECUTIVE Design Archirivolto

# Quinti®



Advanced managerial chair of Quinti collections. Available in two finishes: Diamond (with diamond stitching in the lumbar part) and stuck.

### **Base**

1. Extremely light 5 spoke aluminium on castors 700 mm (R05 as standard)
2. Extremely light 4 spoke aluminium on castors (R05 as standard) or feet 700mm

### **Castors**

Double tread diameter 65mm standard or rubber, they can be free [as standard] or with brake.

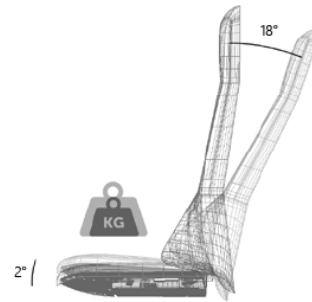
### **Elevation**

All Quinti gas columns are compliant to DIN 4550 norm and exceed the 4<sup>th</sup> level.

### **Mechanism**

#### **ACTIVEPLUS**

Synchron self integrated under seat that allows the synchronized back and seat inclination adjustment with shock proof system, lockable in 4 different positions. Seat and backrest height adjustment. Through polypropylene levers collocated under the seat.



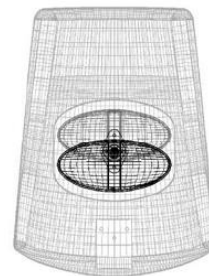
### **Armrests**

The chair is available with or without foamed polypropylene armrests entirely upholstered and integrated in the backrest.

### **Seat & backrest**

**The seat** is in polyurethane crushproof rubber with rubber Memory surface layer.

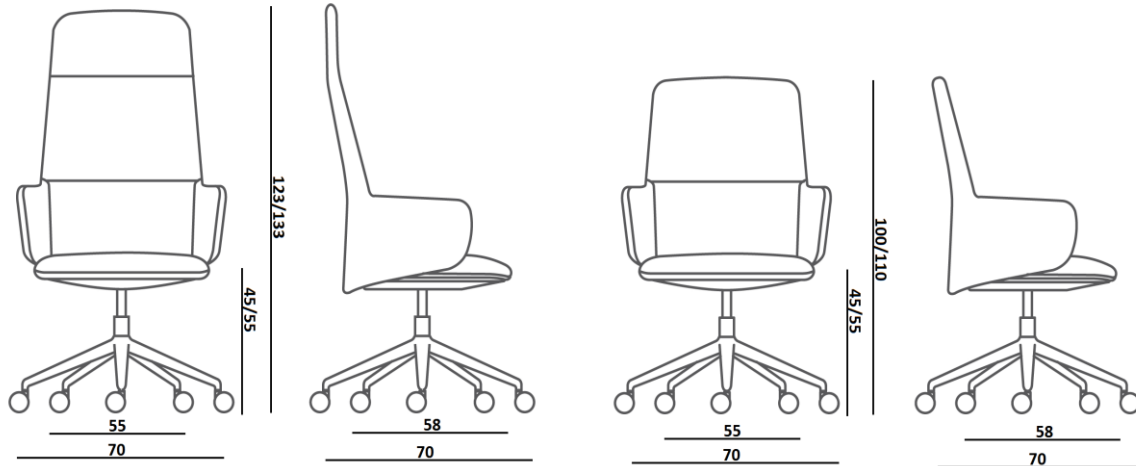
**The backrest** is made up of foamed polyurethane available in two heights, low and medium, with adjustable lumbar support available on both versions on request.



# DEEP EXECUTIVE Design Archirivolto

# Quinti®

## DIMENSIONS



DELIVERY CHARACTERISTICS	TECHNICAL CHARACTERISTICS	FIREPROOF TEST	RESISTANCE TEST
<ul style="list-style-type: none"><li>• Colli 1</li><li>• m<sup>3</sup> 0,43</li><li>• Kg 25</li></ul>	Consumo tessuto MTL 2,20 x h.140	<b>CERTIFIED 11M</b> Contact us for further info	Contact us for further info

Base and castors as standard

**BASE**—Extremely light aluminium

**CASTORS**—R05

### UPHOLSTERIES

---

#### **BIO-EXPO**

##### **CATEGORY 2**

300 gr/mt2  
100% Propitex FR batteriosattico  
Classe 1UNI EN ISO 354:2003  
100.000 +/- 10% cicli Maltindale

#### **EXTREME**

##### **CATEGORIA 2**

350 gr/mtl  
100% Xtreme FR  
Classe , EN 1021-1/2  
100.000 +/- 10% cicli Maltindale

#### **LASER**

##### **CATEGORY 2**

560 gr/mtl  
100% Poliestere FR  
Classe 1  
80.000+/- 10% cicli Maltindale

#### **ECOPELLE**

##### **CATEGORY 2**

630 gr/mt2  
83% PVC, 17% Syntetic  
ISO 379-DIN75200-CSERF4/83 10%  
cicli Maltindale

#### **ERA**

##### **CATEGORY 3**

448 gr/mtl  
100% Trevira CS  
Classe 1UNI EN ISO 354:2003  
100.000 +/- 10% cicli Maltindale

#### **LASER PLUS**

##### **CATEGORY 3**

630 gr/mtl  
100% Poliestere FR Trevira  
Classe1 , 4.000 +/- cicli Maltindale

#### **ECOPELLE SOUL**

##### **CATEGORY 3**

760 gr/mt2  
Superficie 100% POLIURETANO,  
Base Poliestere 85%,17% Cotone  
EN1021-1/BS5852 PART 1  
>100.000 EN ISO 5470-2

#### **MELANGE**

##### **CATEGORY 3**

390 g/lin.m  
100% Trevira CS  
Classe 1  
80.000 +/- 10% cicli Maltindale

#### **JET**

##### **CATEGORY 3**

365+/- 5% g/lin.m  
100% Poliestere FR  
Classe 1  
80.000+/- 10% cicli Maltindale

#### **ECOPELLE SISTEMA PRO**

##### **CATEGORIA 3**

710 gr/mt2  
Superficie 93% PVC  
Base Poliestere 28%  
**CLASSE1**  
100.000 CICLI

#### **LANA**

##### **CATEGORY 5**

500 gr/mt2  
75% Lana, 25% poliammide  
Classe 1  
100.000 cicli Maltindale

#### **PELLE**

##### **CATEGORY 5/6**

620 g/lin.m  
100% Pelle bovina  
Classe 1, EN 1021-1/2

#### **PIED POULE**

##### **CATEGORY 6**

550 g/lin.m  
66% cotone, 34% Poliestere  
35.000 % cicli Maltindale

#### **EUROPOST 2**

##### **CATEGORY 6**

710 g/lin.m  
63% PU, 16% CO, 21% PL  
Ini1975 CLASSE1emme,UNI9175/FA  
50.000% cicli Maltindale

#### **MERIT**

##### **CATEGORY 7**

500g/lin.m  
76% Poliestere Recycled  
24% Poliestere  
EN 1021-1/2  
85.000 % cicli Maltindale

#### **PREMIUM /ELEGANCE**

##### **CATEGORY 7**

100% Pelle bovina Primo fiore  
Spessore 1,2/1,4 mm  
EN1021-1/2

#### **STEELCUT TRIO**

##### **CATEGORY 7**

770 g/lin.m  
90% New woolworsted, 10% Nylon  
Classe 1, EN 1021-1/2  
100.000 % cicli Maltindale

#### **REMIX**

##### **CATEGORY 7**

415 g/lin.m  
90% New woolworsted, 10% Nylon  
Classe 1, EN 1021-1/2  
100.000 % cicli Maltindale

#### **VELLUTO DECONTRACTE'**

##### **CATEGORY 7**

590 g/lin.m  
19% CO, 61% PC,10% PL, 10%VI  
40.000 % cicli Maltindale

#### **VELLUTO**

##### **CATEGORY 8**

600 g/lin.m  
100.000 % PL Flameretardant

#### **PELLE SOFT**

##### **CATEGORY 8**

100% Pelle bovina SPESSORE1,8-2 mm  
Primo fiore CONCIA ALL'ANILINA  
EN1021-1/2

### USAGE AND CARE

---

For a proper maintenance of the products and to maintain unchanged the characteristics of the materials, we recommend to follow some very simple care instructions.

#### FABRICS

Cleaning: check the dedicated selection written on the color Swatch card. Usage: it is recommended to pay attention to the fabrics as they can be easily cut or ripped.

#### LEATHERS

Cleaning: clean with a wet white cloth with water. We recommend to use high quality products for the cleaning of the leather and to follow carefully the instructions of the manufacturer. In doubt, try out the product on a hidden part and wait at least 24 hours for the occurrence of any problems. Usage: remember that the leather is a delicate material therefore it is recommended to pay particular attention while using.

#### WOODS

Cleaning: clean with a soft and wet cloth with warm water. We always recommend to dry immediately after the cleaning process. All liquids or other residue must be removed in order to avoid the absorption. Usage: wooden surfaces, being a natural material, could be affected by an alteration of the color shade during time and use. We also remind that wooden surfaces cannot bear with high temperatures if placed directly on the wooden top.

#### METALS

Cleaning: both steel or aluminium surfaces, and painted ones, must be cleaned with a soft and wet cloth with hot water. For the most persistent stains, a small amount of liquid soap diluted in water may be used. We always recommend to dry immediately with a soft cloth or a leather one after the cleaning process. Never using cleaning products for steel, chlorine, bleach or other strong detergents. It is not recommended to use abrasive creams, score pads and abrasive sponges that can scratch the metal surfaces. Usage: pay attention to the stains of food such as coffee, coke, fruit juices that can leave indelible marks on the surface.

#### WARRANTY

QUINTI guarantees the products will maintain their properties for 6 years from delivery, except normal usury and provided that they will be used according to the guidelines given. QUINTI will replace, free of charge, any product found non-compliant with this warranty, without incurring any other liability of sort. Components, external accessories or materials supplied by the buyer and applied to the products in order to customize them will not be supported by the guarantee. For an optimal maintenance of the products and to keep unchanged the characteristics of the materials with which they are made, some simple attentions are necessary.

### DEEP MANAGERIAL Design Archirivolto

#### Info components



#### DEEP

Advanced executive chair of Quinti collection.

#### Base

1. 5-spokes black polypropylene Trend base on castors ( R05 )
2. 4-spokes white polypropylene Trend base on castors ( R05 ) or feet

#### Castors

Double tread diam. 65 mm, standard or rubber wheels. Both free ( standard ) or self braking.

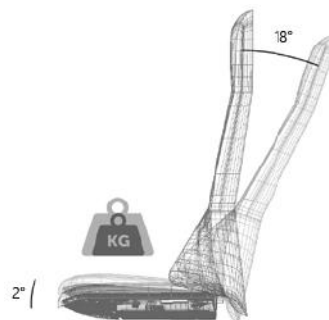
#### Gas lift

All Quinti gas lift systems are DIN 4550 4th level certified.

#### Meccanics

#### ACTIVEPLUS

Self-weighting synchronized mechanism integrated in the seat that allows the synchronized regulation of seat/ back inclination with anti-shock system, lockable in 4 positions. Seat and backrest height adjustment through a lever inside the polypropylene seat.



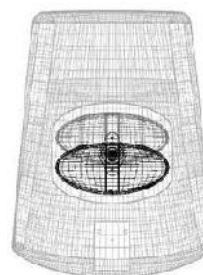
#### Armrests

The chair is available with or without "T" polypropylene armrests with height adjustment, black or white with black pad.

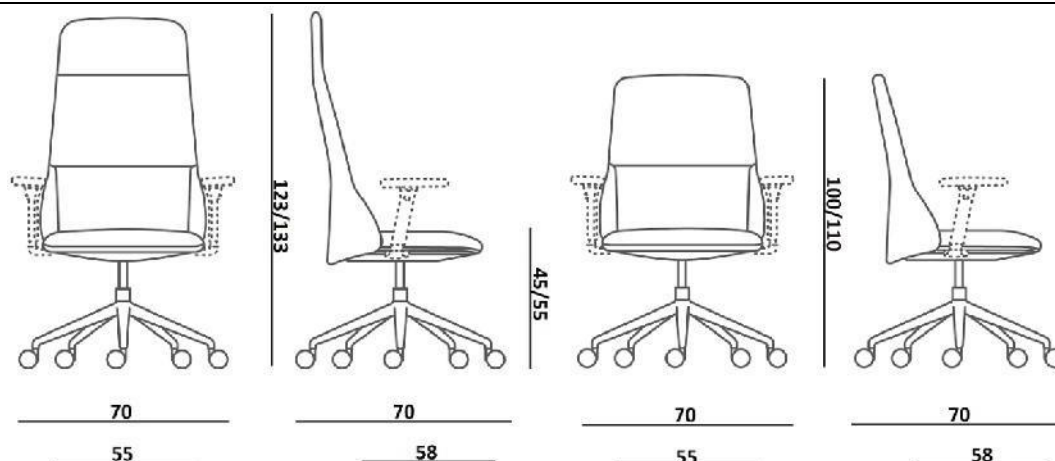
#### Seat & Backrest

**Seat** in injected and crushproof foam with memory rubber.

**Backrest** in cold injected foam available in two heights ( high and medium ) with adjustable lumbar support available on demand in both versions.



### Dimensions & range



MATERIAL		CAT	Availability	
CREPE		1		
ECOPELLE / LEATHERETTE		2	•	
XTREME		2		
BIKO		2	•	
LASER		2	•	
SISTEMA PRO		3		
TRAMA		3	•	
MELANGE		3	•	
JET		3	•	
LANA / WOOL		5	•	
PELLE / LEATHER		5	•	
PELLE NERA / LEATHER BLACK		5S	•	
TEMPO Kvadrat		6	•	
PELLE / LEATHER ELEGANCE PREMIUM		7	•	
PELLE / LEATHER SOFT		7	•	
STILLKAT TRIO Kvadrat		7	•	
TESSUTO CLIENTE H.140 cm		1		

SHIPPING INFO	TECHNICAL SPECS	FLAMMABILITY TEST	RESISTANCE TEST
<ul style="list-style-type: none"> <li>1 box</li> <li>m<sup>3</sup> 0,40</li> <li>Kg 23</li> </ul>	Fabric consumption MTL 2,20 x h.140	<p>For further specifications, please check fabrics in the colours system.</p> <p><b>For further information, please contact us.</b></p>	<p>For further specifications, please check fabrics in the colours system.</p> <p><b>For further information, please contact us.</b></p>

### Base and castors

**BASE** – polypropylene Trend base  
**CASTORS** –R05

**Usage & care**

In order to maintain Quinti products in perfect conditions through time and obtain a long lasting quality of the raw materials we hereby recommend to follow some very basic care instructions.

**FABRICS**

- Cleaning: see the dedicated selection written on the color Swatch card.
- Usage: we recommend a particular care as fabrics can be easily cut or ripped.

**LEATHER**

- Cleaning: Clean with a soft cloth with water. We remind that leather is extremely delicate. We recommend to use high quality products and to follow the instructions of the manufacturer. In case of doubts, we recommend to test the product on a hidden part and to wait at least 24 hours should any problem arise.
- Usage: It is very important to look carefully at the wash suggested and to pay particular attention while using.

**PLASTIC MATERIALS**

- Cleaning: plastic surfaces usually need to be cleaned with a cloth and water. We recommend not to use dry cloths that might generate an electrostatic charge that will capture dust. For the most persistent stains a small amount of liquid soap diluted in water may be used.

**WOOD**

- Cleaning: plywood surfaces need to be cleaned with a cloth and water. We recommend to dry immediately after the cleaning process. All liquids or other residue must be removed in order to avoid the absorption of the same.
- Usage: being plywood a natural material you might notice an alteration of the color shade during time and use. We also remind that plywood cannot bear with warm surfaces or high temperatures if placed directly on the wooden top.

**METALS**

- Cleaning: plastic surfaces usually need to be cleaned with a cloth and water. For the most persistent stains a small amount of liquid soap diluted in water may be used. We always recommend to try immediately after the cleaning process by using a soft cloth or a leather one. Never use cleaning products for steel, chlorine, bleach or other strong detergents. Avoid abrasive creams, score pads and abrasive sponges that can scratch the metal surfaces.
- Usage: mind the stains of food such as coffee, juices, coke, if not removed immediately they might leave indelible marks on the surface.

**WARRANTY**

all the products are covered by a 6 years warranty. For the first 24 months: free repair of any flaw due to the production processes; from 24 to 72 months: working hours and carriage costs will be charged to the client. The warranty for the mechanisms is 12 months.

The warranty is not valid if:

- Damages and deterioration are due to the normal wear and tear.
- Damages and deterioration are due to an incorrect use.
- Deterioration caused by an inappropriate care of the materials.
- In case of use for more than 8 hours the warranty is valid only for 24 months.