

OTTOIG COLLECTION HALDEN

Designer Omar De Biaggio



Description

The Ottoig Collection is manufactured in steel tube \varnothing 20mm, with upholstered plywood for both seat and back

VERSION

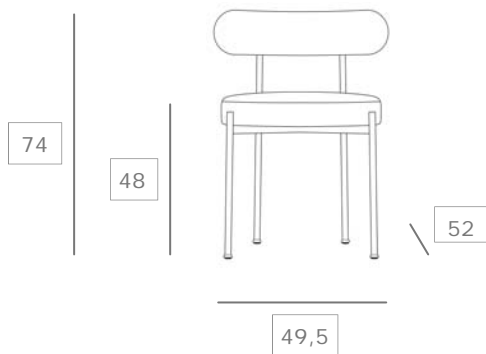
- Ottoig chair
- Ottoig armchair
- Ottoig fauteuil
- Ottoig counterstool en barkruk

CERTIFICATION

Foam meets Technical Bulletin California 117 test. Other foams on request.

DIMENSIONS in cm

CHAIR



PACKING

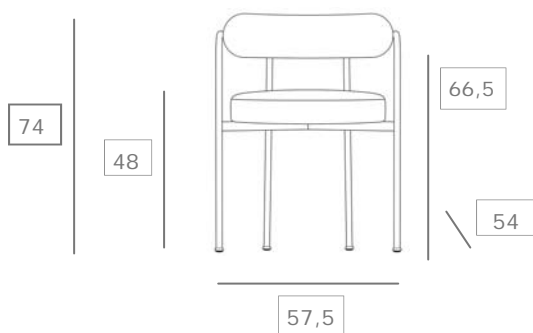
Weight	18 kg
Pcs/carton	2
Carton size	70 cm x 54 cm x 99 cm

FABRIC CONSUM

C.O.M Full	0,85 mt x 1,40 mt
C.O.M Seat	
C.O.M Back	

C.O.L Full	2 sqm
------------	-------

ARMCHAIR



PACKING

Weight	10 kg
Pcs/carton	1
Carton size	57 cm x 61 cm x 77 cm

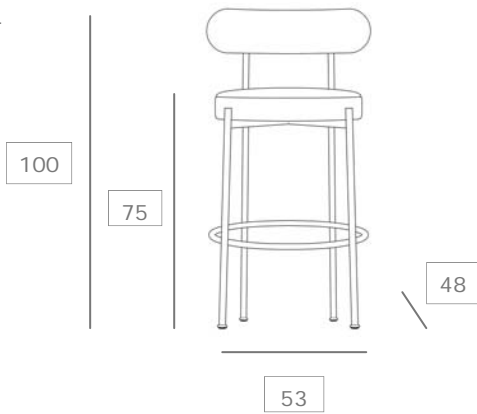
FABRIC CONSUM

C.O.M Full	0,85 mt x 1,40 mt
C.O.M Seat	
C.O.M Back	

C.O.L Full	2 sqm
------------	-------

DIMENSIONS in cm

BARSTOOL



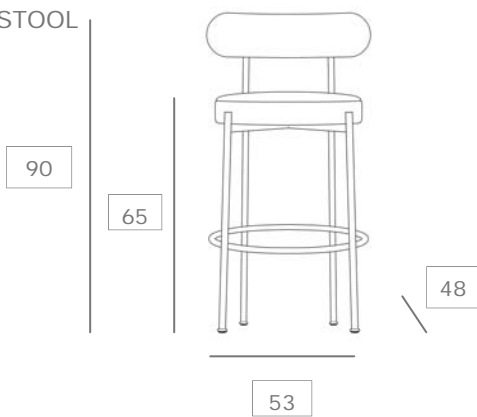
PACKING

Weight	12 kg
Pcs/carton	1
Carton size	52 cm x 52 cm x 102 cm

FABRIC CONSUM

C.O.M Full	0,85 mt x 140 mt
C.O.M Seat	
C.OM Back	
C.O.L Full	1,90 sqm

COUNTER STOOL



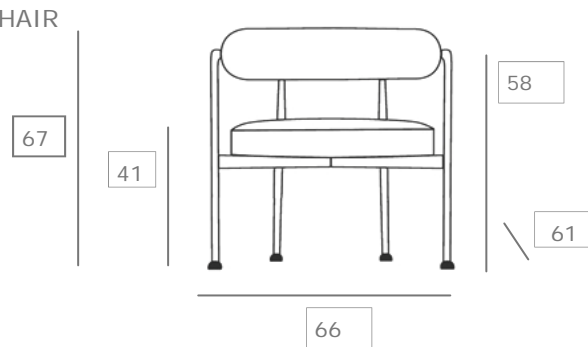
PACKING

Weight	12 kg
Pcs/carton	1
Carton size	52 cm x 52 cm x 102 cm

FABRIC CONSUM

C.O.M Full	0,85 mt x 140 mt
C.O.M Seat	
C.OM Back	
C.O.L Full	1,90 sqm

LOUNGE CHAIR



PACKING

Weight	15 kg
Pcs/carton	1
Carton size	69 cm x 69 cm x 79 cm

FABRIC CONSUM

C.O.M Full	1 mt x 1,40 mt
C.O.M Seat	
C.O.M Back	
C.O.L Full	

MIX AND MATCH - our COLORS

METAL FRAME



Black, mat



RAL on request



chrome