

# Fost

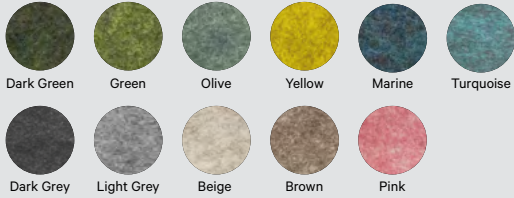
## PET Felt Acoustic Lamp



- made from recycled PET bottles
- gentle sound-dampening effect
- cable and cord length can be customised
- comes with an embedded LED module
- available in three colour temperatures
- suitable for contract use

### Colours

#### Shell



#### Inner inlay

White

#### Cord

Transparent

### Specifications

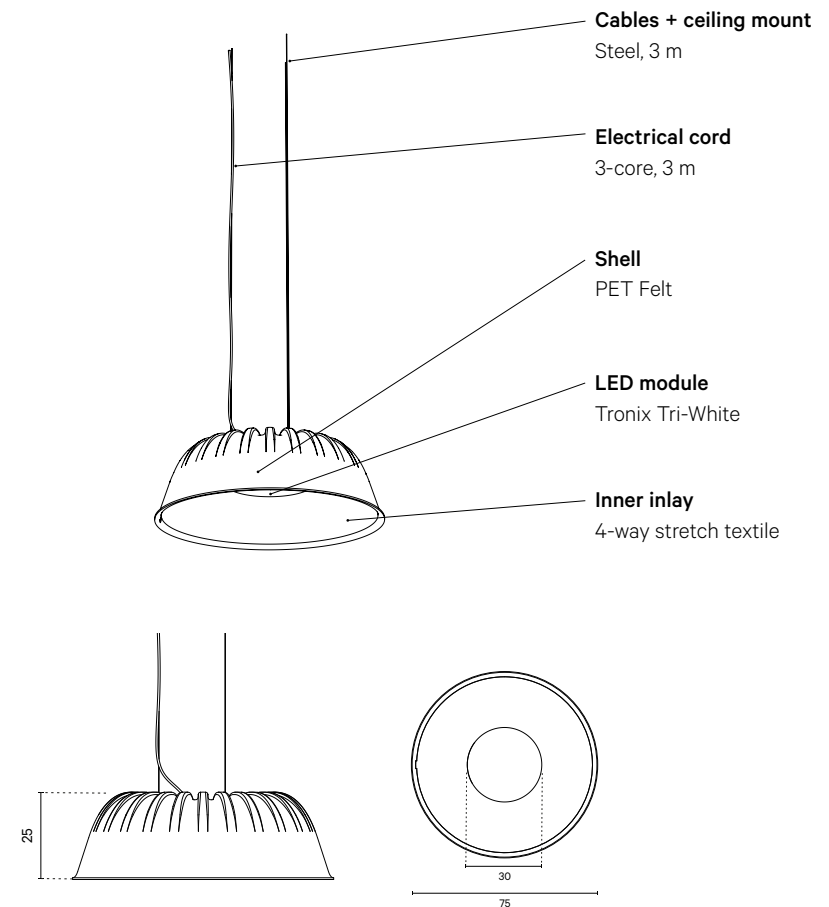
<i>Voltage</i>	230V
<i>Power</i>	18W
<i>Colour temperature</i>	Warm white, neutral white or cold white (3000K, 4000K or 5700K)
<i>CRI</i>	>80
<i>Luminous flux</i>	1850 Lm
<i>IP rating</i>	IP54
<i>Dimmable</i>	Yes (trailing edge)



With its generous dome shape and graphic expression, Fost Lamp offers a combined solution for acoustics and illumination. The PET felt lampshade has a soft texture and a bold ribbed pattern on the outside, while the inner surface features contrasting white fabric. Enveloping the LED module, the fabric gently disperses the light down, granting an inviting sensation of privacy and calmness.

Designed by **De Vorm**

### Product overview



### Care & Maintenance

For regular care, we recommend dusting or vacuuming PET Felt occasionally. Most stains can be easily cleaned with water. It is advised to dab the contaminated surface with a dry cloth while it is wet. Do not rub PET Felt to avoid excessive pilling and let the material dry naturally. If water is not sufficient, stubborn stains can be removed with professional cleaning products like the James cleaning set.

# Fost Large

## PET Felt Acoustic Lamp



- made from recycled PET bottles
- gentle sound-dampening effect
- cable and cord length can be customised
- comes with an embedded LED module
- available in two colour temperatures
- DALI dimmable

### Colours

#### Shell



**Note:** Due to the recycled content of the PET felt, color differences may occur.

#### Inner inlay

White

#### Cord

Transparent

### Specifications

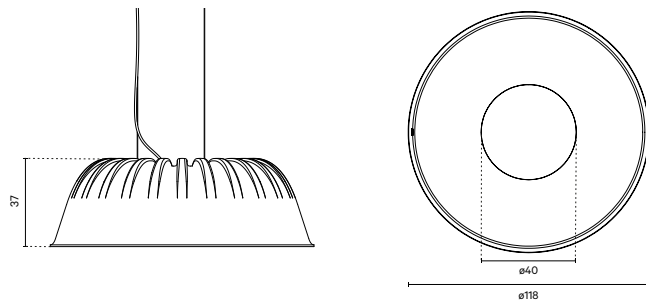
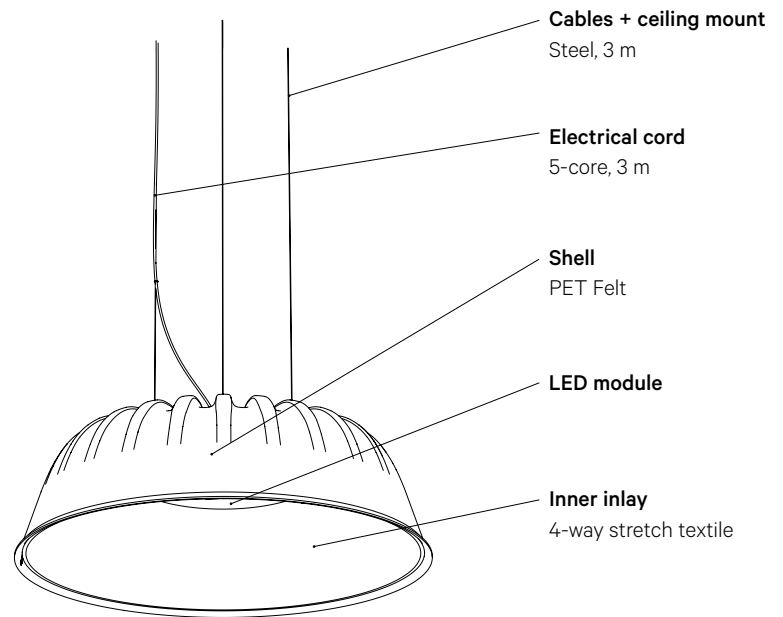
<i>Voltage</i>	120V - 240V
<i>Power</i>	12W
<i>Colour temperature</i>	Warm white, neutral white (3000K, 4000K)
<i>CRI</i>	>80
<i>Luminous flux</i>	1400 Lm
<i>IP rating</i>	IP44
<i>Dimmable</i>	DALI dimmable



Fost Large offers a combined solution for acoustics and illumination. The lamp comes with an impressive  $\varnothing 118$  cm lampshade and a spheric LED module, casting high-quality, dimmable light. A bold ribbed pattern on the outside and a soft fabric on the inside create a contrasting visual effect. With 11 colours to choose from, Fost Large meets the functional and aesthetic needs of any interior.

Designed by **De Vorm**

### Product overview



# Fost Bulb

## PET Felt Acoustic Lamp



- made from recycled PET bottles
- gentle sound-dampening effect
- cable and cord length can be customised
- suitable for contract use

### Colours

#### Shell



**Note:** Due to the recycled content of the PET felt, color differences may occur.

#### Inner plate

White (RAL 9010)

#### Electrical cord

Transparent

### Specifications

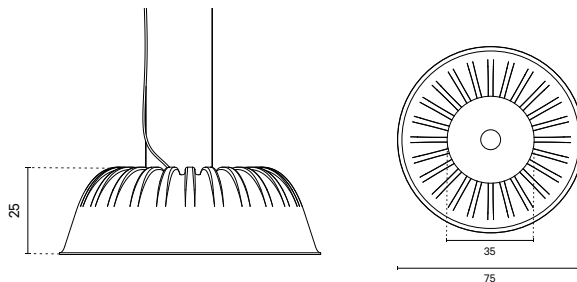
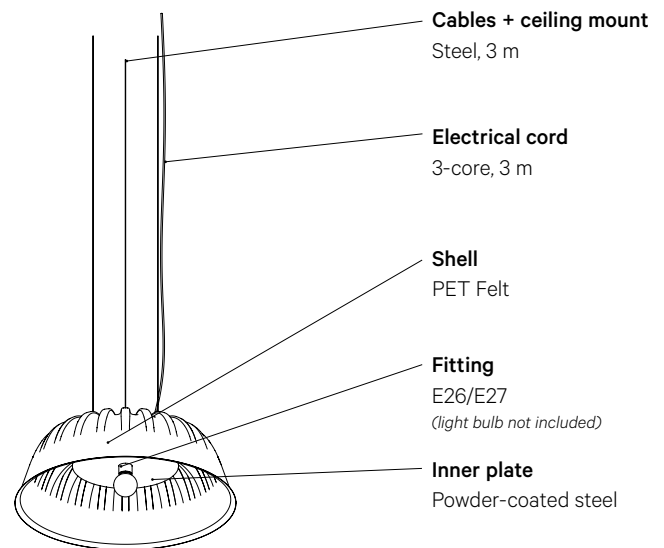
Weight	3.1 kg
Fitting	E26/E27
Light bulb	Not included



Fost Bulb combines unique aesthetics and smart functionality. Made from acoustic PET Felt material, the lamp dampens the sounds inviting you to sit down under its enveloping dome. A refined ribbed pattern on the lampshade will add a playful touch to any working, meeting or dining interior.

Designed by **De Vorm**

### Product overview



### Care & Maintenance

For regular care, we recommend dusting or vacuuming PET Felt occasionally. Most stains can be easily cleaned with water. It is advised to dab the contaminated surface with a dry cloth while it is wet. Do not rub PET Felt to avoid excessive pilling and let the material dry naturally. If water is not sufficient, stubborn stains can be removed with professional cleaning products like the James cleaning set.