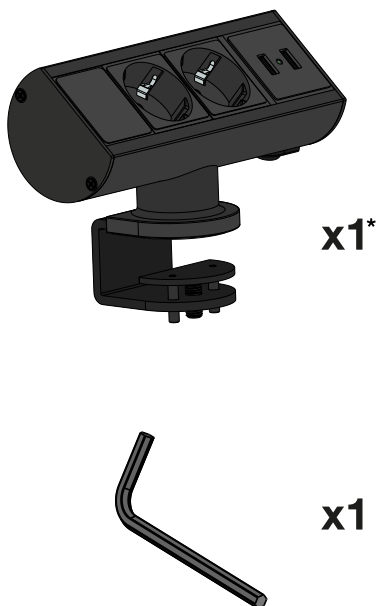


Axessline Desk

- 935-D2UC
- 935-D2UC-FN
- 935-D2UC-UK

- ▣ 935-D2UCA

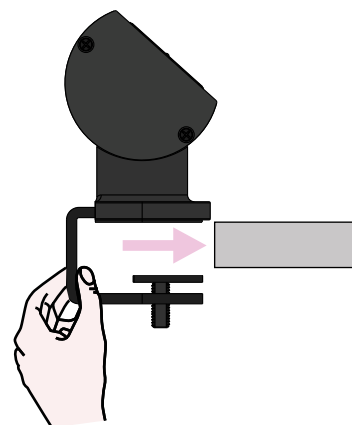
CONTENT:



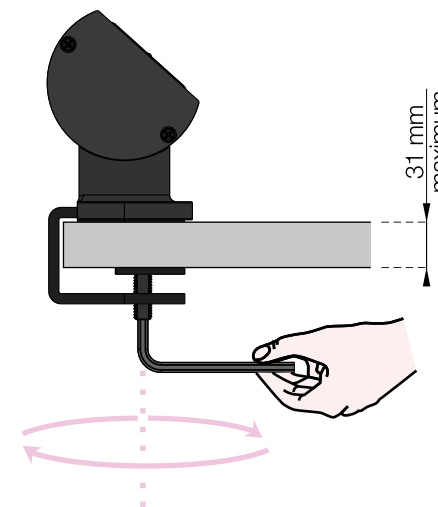
1 LOOSEN CLAMP
Use 4 mm Allen key to loosen the hexagon cup point screw. Turn counter-clockwise to loosen.



2 POSITION TO EDGE OF TABLE
Position the clamp so that the edge of the table top touches the edge of the clamp.



3 FASTEN CLAMP
Use 4 mm Allen key to tighten the hexagon cup point screw. Turn clockwise to tighten and ascertain that the product does not move if pushed or pulled.



- 2 **USB-Charger ports**
(5V, 2.4A)

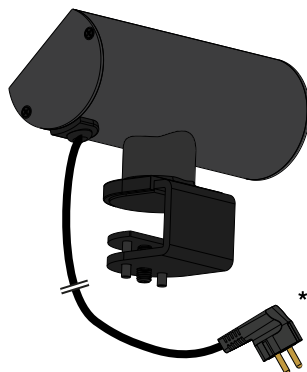
- 2 **Power sockets***

- 1 **Power chord***

* **Type F** for 935-D2UC
935-D2UCA

Type E for 935-D2UC-FN

Type G for 935-D2UC-UK



4 PLUG IT IN
Plug the power chord into the intended power socket to finalize the installation.

